

# AE5 ULTRON Version Solar Street Light

ULTRON series is Leadsun's latest lighting system with double-sided solar module and a highly powerful light, which claims to be a masterpiece from Leadsun.

Leadsun integrates the most cutting-edge technology with highly efficient PV module, powerful LiFePO4 batteries and smart controller into sleek and compact design. The all-in-one designed AE5 ULTRON version comes with adjustable LED tubes to realize different lighting angles, improves the product performance and efficiency, meanwhile, to simplify the installation and enhance user experience.

CE | IP66 | IK08

**LEADSUN**<sup>®</sup>

"Bright Ideas For An Even Brighter Future."

Phone: +86-756-2289712  
Email: [sales@leadsunglobal.com](mailto:sales@leadsunglobal.com)  
[www.leadsunglobal.com](http://www.leadsunglobal.com)



## Rock Solid Mechanical Structure

With modular design, anti-corrosive aluminum alloy shell, toughened stainless steel components, IP66 and IK08 rated covers for added strength, the ULTRON series has been engineered to be extremely durable and handle whatever comes its way. Be it a rain, snow or storm, AE5 ULTRON version has got the area covered.

**IP66**   **IK08**   **5-year Warranty**



## Enhanced Power and Design Integration

ULTRON version takes everything that was good about the last generation, AE5 series, and improves it.

With the aim to be innovative and to enhance the user experience, ULTRON AE5 uses bifacial mono crystalline solar panel to maximize the solar energy utilization. Compared with traditional one-sided poly or mono solar panel, it is capable of generating power from both front and back sides to increase the utilization of solar energy. Its higher power generation efficiency helps to extend working hours of the lighting system.

# Intelligent Steady State Controller

With its rich industry experience, Leadsun has independently developed intelligent controllers for solar street lights. AE steady state controller not only realizes the smart control of lighting, but also provides comprehensive protection for the whole system. The controller comes with waterproof programming connector, charging connector and switch, providing the possibility and convenience for later maintenance.



**Efficient  
Controller**



**Stable  
Operation**

Type B USB Female Connector      Type A USB Female Connector  
ON/OFF Button



**Batter  
Management  
System**



**8-Year  
Life**

## Battery Management System

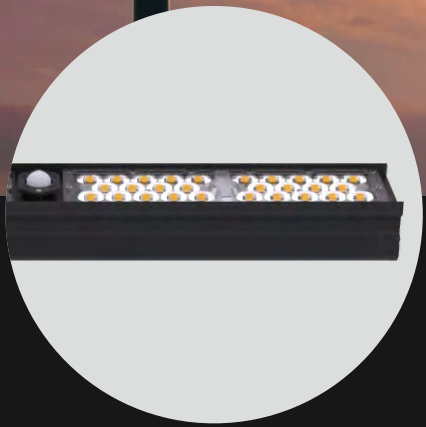
Adopted environment-friendly LiFePO4 battery without metal ingredient. The depth of discharge is lifted from 60% up to 90%, 5 times the cycle life.

It combines of the exclusive patented battery management technology, enabling the life span of battery to last for over 8 years.

# Adjustable Angle of 120°

LED street lights have a design with adjustable angles allowing them to illuminate both sides and distant areas of the road, making the view of the road wider. This design enables 360-degree illumination with no dead angles, making driving more convenient and safe.

The adjustable angle design of LED street lights will continue to play a role in lighting up urban roads, highways, tunnels, and other areas, enhancing road safety and comfort, and providing a better driving experience for drivers and passengers.



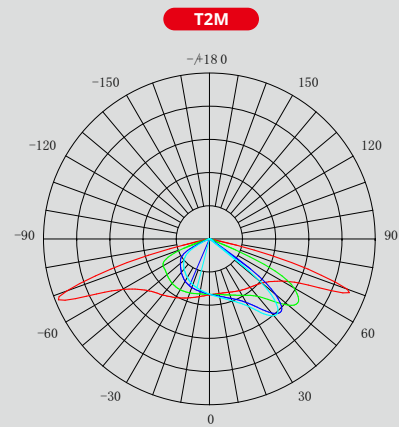
## High Efficient LED

Using high-efficiency LED, luminous efficiency is up to 180lm/W (@25 C). The lights sealing lens is made of strong anti-ultraviolet PC, which has anti-aging and anti-impact performance, enabling long term usage.

With the unique cutoff design of the optic lens, allows us to eliminate the lighting pollution to the environment.

## Bat Wing Light Distribution

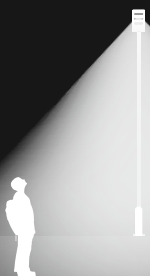
The new lens design improves the lighting effect and lighting uniformity, while also increasing light coverage.



AE5 comes complete with built-in motion detection system that automatically regulate the light source from full bright to dim mode to increase battery autonomy.

100% Brightness when motion is detected

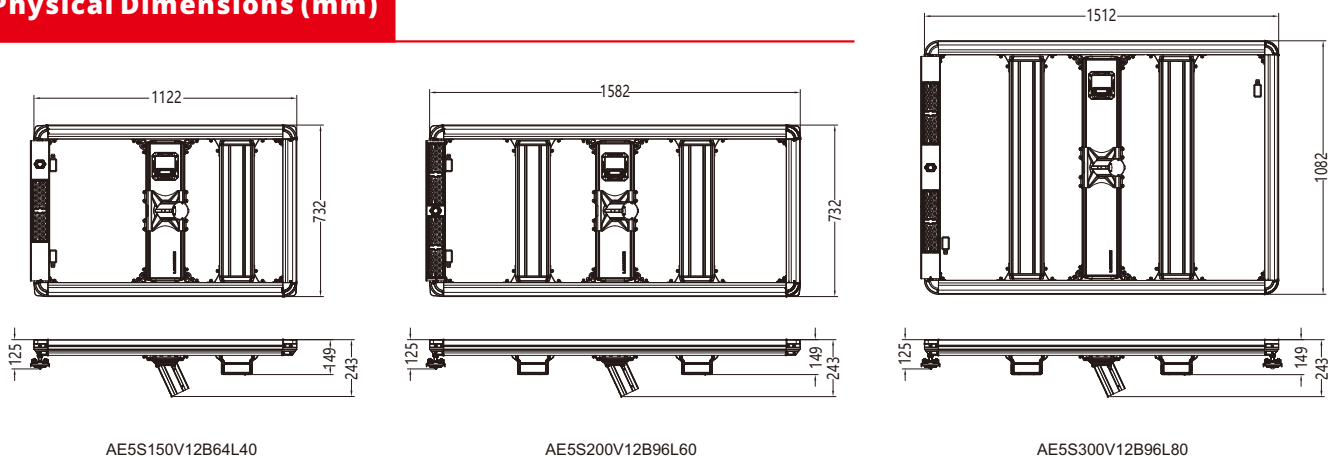
30% Brightness when no motion is detected



# AE5 Solar Street Light Specifications

Model No.	AE5S150V12B64L40	AE5S200V12B96L60	AE5S300V12B96L80	
<b>Physical Parameters</b>				
Power of PV Module (W)	150	200	300	
Lithium Battery Capacity (Ah/Wh)	64Ah (820Wh)	96Ah (1229Wh)	96Ah (1229Wh)	
Qty. of LED Chips (pcs)	1×28	2×28	2×28	
PIR Sensor	✓	✓	✓	
Net Weight of Product (kg)	24.6	40	48.2	
Dimension of Product (mm)	1122(L)×733(W)×152(T)	1582(L)×733(W)×152(T)	1512(L)×1082(W)×152(T)	
Wireless Control Function (Optional)	✓	✓	✓	
<b>Light Parameters</b>				
Light Output (W)	1×40	2×30	2×40	
Optional Distribution	Bat Wing	Bat Wing	Bat Wing	
Visual Angle	140°×70°	140°×70°	140°×70°	
Color Temperature (K)	5000	5000	5000	
Typical Luminous Flux (lm)	7200	11400	14400	
Working Mode	First 4 hours, 100% brightness. After the first 4 hours, 100% brightness when motion is detected and 20% brightness when there is no detection.			
Battery Backup Time (days)	2~3 days	2~3 days	2~3 days	
Light Photosensitivity (lx)	30	30	30	
<b>Packing Parameters</b>				
Main Package	Carton Size (mm)	1178(L)×195(W)×828(T)	1638(L)×195(W)×828(T)	1580(L)×195(W)×1165(T)
	Gross Weight (kg)	28	43	52.2
Extra Package (for Bracket)	Carton Size (mm)	240×170×260	240×170×260	240×170×260
	Gross Weight (kg)	2.6	2.6	2.6
<b>Environment Requirement</b>				
Charge Temperature	0°C~51°C	0°C~51°C	0°C~51°C	
Discharge Temperature	-20°C~51°C	-20°C~51°C	-20°C~51°C	
Storage Temperature (<3 months)	-20°C~45°C	-20°C~45°C	-20°C~45°C	
Storage Temperature (3~12 months)	-20°C~25°C	-20°C~25°C	-20°C~25°C	
<b>Mounting Recommendation</b>				
EPA (effective projected area) (ft <sup>2</sup> )	4.49	6.33	8.86	
APA (actual projected area) (ft <sup>2</sup> )	3.74	5.28	7.38	
Wind Load Rate (mph)	130	130	130	
Maximum Bracket Inner Diameter (mm)	90	90	90	
Top of Pole or Tenon OD (mm)	80~85	80~85	80~85	
Installation Height (m)	6~8	7~10	8~12	
Installation Distance (m)	25~35	25~40	30~45	

## Physical Dimensions (mm)



- \* The light source contained in this luminaire shall only be replaced by the manufacturer or his service agent or a similar qualified person.
- \* The torque setting for any bolts or screws used to secure the luminaire to the bracket is 14 N/m.
- \* Use for outdoors only!